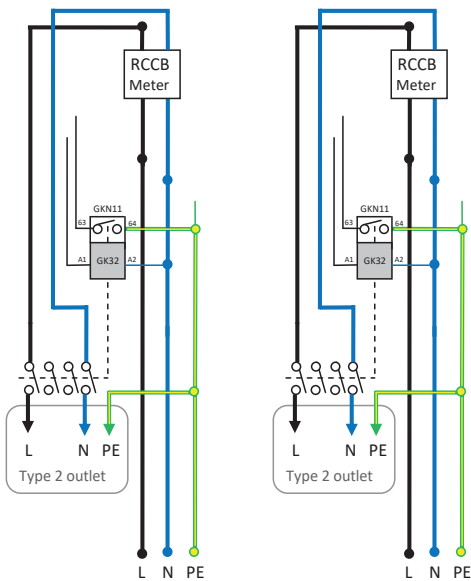


## ENTITY Chargers

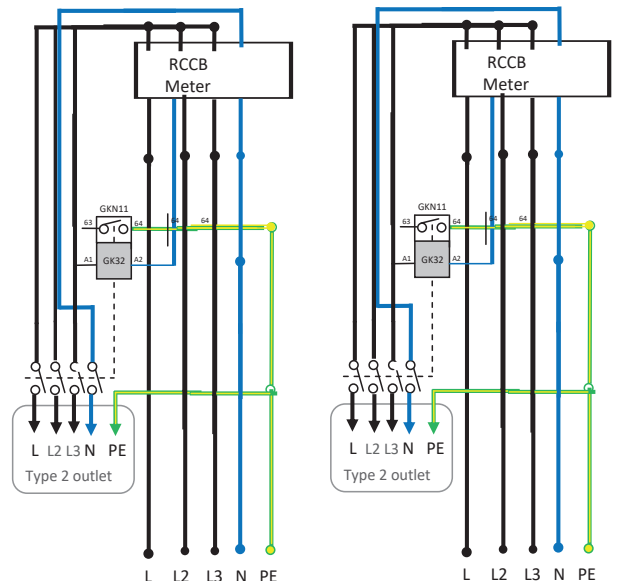
Type: EPCSO00332SIGIO



Charging Mode	Mode 3
Socket or Tethered Lead	Dual Sockets (type 11)
AC Output Current (A)	6,10,16,20,25,32
Power outlet [kW]	3.7KW,7.4KW, 11KW, 22KW
Rated voltage [V AC]	230 / 400
Frequency [Hz]	50
Temperature range [C]	-25...+40
Degree of protection (IP)	54
Weight(KG)	4.2
Location	Wall or Stand
DC Monitoring	Standard
Load management	Standard with ext. sensor
Meter	Standard
Auto Phase rotation	Standard
Communication	4G, Dual LAN, Mesh WiFi
RFID	Standard
Protocol	OCPP1.5 / 1.6
Certification	EN 61851-1, IEC 61439-7 ISO 15118



or





Dokument/document		Utgåva datum/edition date
Försäkran om överensstämmelse/ Declaration of conformity		2023-04-13
Avdelning/department		
Produkt/Product		
Ansvarig/prepared	Version	Sida/page
Peter Magnusson	5	1 av/of 1

**Manufacturer/Tillverkare:** GARO AB  
Box 203  
S-335 25 GNOSJÖ  
Sweden

Telephone: +46 (0)370 33 28 00  
Internet: www.garo.se

**IRL Address:** Unit 18 & 19/307, Northwest Business Park, Ballycoolin, Dublin 15, D15 AV81

**Agent of equipment/Materielslag:** Electric Charging Station for EV with Radio Equipment/Laddstation för elbil med tillhörande radio utrustning

**Trade Mark/Varumärke:** GARO

**Type Designation/Typbeteckning:** ENTITY EPC... serie

**We hereby declare under our sole responsibility that our product fulfils the requirements of following EC directives/**

Vi intygar härmed under vårt ensamma ansvar att vår produkt uppfyller krav enligt följande EU direktiv:

- The Low Voltage Directive (LVD) 2014/35/EU / Lågspänningsdirektivet (LVD) 2014/35/EU.
- Electromagnetic compatibility (EMC) 2014/30/EU / Elektromagnetisk kompatibilitet (EMC) 2014/30/EU.
- Radio Equipment Directive 2014/53/EU (RED) / Radiodirektivet (RED) 2014/53/EU.
- RoHS Directive (RoHS) 2011/65/EU / RoHS direktivet (RoHS) 2011/65/EU.
- The Electrical Equipment Safety Regulations 2016/UK / 2016 No 1101
- The Electromagnetic Compatibility Regulations 2016/UK / 2016 No 1091
- The Restriction of the Use of Hazardous Substances in Electrical and Electronic Equipment Regulations 2012/UK / 2012 No 3032

**The following harmonised standards (latest edition) or technical specifications which comply with good engineering practice in safety matters in force within the EU/UK have been used in the design:/**

Följande harmoniserade standarder (senaste utgåva) eller tekniska specifikationer som uppfyller god säkerhetsteknik praxis inom EU/UK har använts i konstruktionen:

EN IEC 61851-1:2019  
IEC/TS 61439-7:2020  
EN 62311:2020  
IEC 62955:2018  
EN 60898-1  
EN 61008-1

IEC 61851-21-2:2018 Other than residential environments  
IEC 61000-6-3:2006/A1:2010  
IEC 61000-6-2:2005  
ETSI EN 301 489-17 V3.2.4  
ETSI EN 301 489-52 V1.1.2  
ETSI EN 301 489-1 V2.2.3  
ETSI EN 301 489-3 V2.1.2

GARO AB  
Company/Företag

  
Sign/Underskrift

CTO  
Position/Befattning

Bo Eriksson  
Sign in printed letters/Namnförtydligande

Gnosjö 2023-03-25  
Place Date/Ort Datum